



**351CP 351TA 351TB 352NN**

Valvola termostattizzabile angolo M1/2"\*3/4"EK mono/bitubo con by-pass e PRESETTING, detentore. Interasse 50mm.  
*Angle thermostatic mono/bitube valve M1/2"\*3/4"EK with PRESETTING, by-pass and lockshield. Distance between connections 50 mm.*



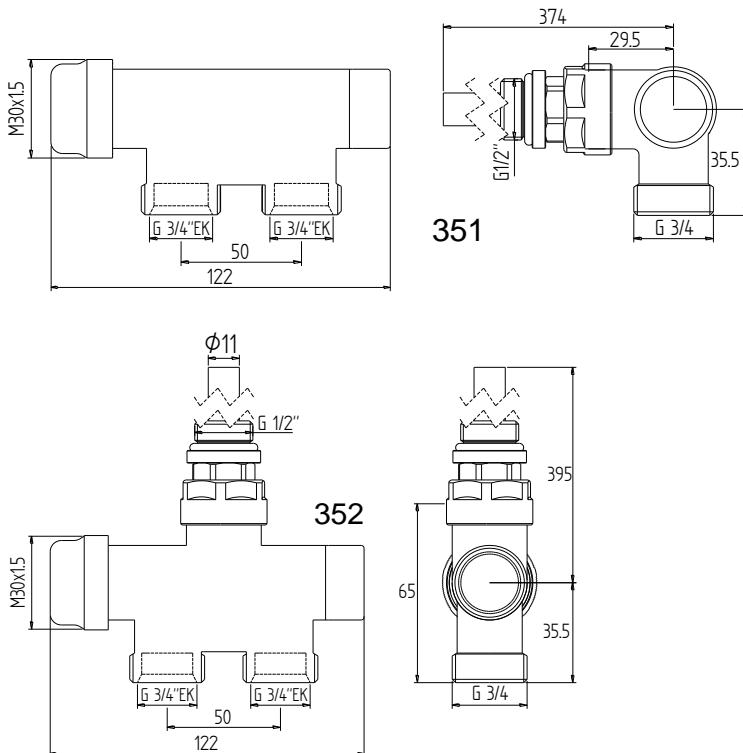
**352CP 352TA 352TB 352NN**

Valvola termostattizzabile diritta M1/2"\*3/4"EK mono/bitubo con by-pass e PRESETTING, detentore. Int.50mm  
*Straight thermostatic mono/bitube straight valve M1/2"\*3/4"EK with PRESETTING,by-pass and lockshield. Distance between connections 50 mm.*

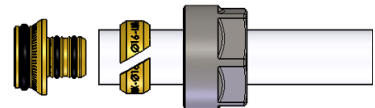
### CARATTERISTICHE - FEATURES

- Corpo calotta e codolo ottone CW617N.
- Componenti interni ottone CW614N
- Volantino in ABS.
- guarnizione tenuta O-ring: EPDM
- filettature ISO 228/1
- PN 10: TEMP. : -10°C ÷ 100°C
- brass CW617N body, tail and nut.
- Brass CW614N internal components.
- ABS cap
- Sealing gasket O-ring: EPDM
- threading to ISO 228/1.
- PN 10: TEMP. : -10°C ÷ 100°C

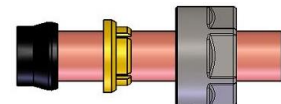
### DIMENSIONI PRINCIPALI - LEADING DIMENSIONS



### ADATTATORI-FITTINGS

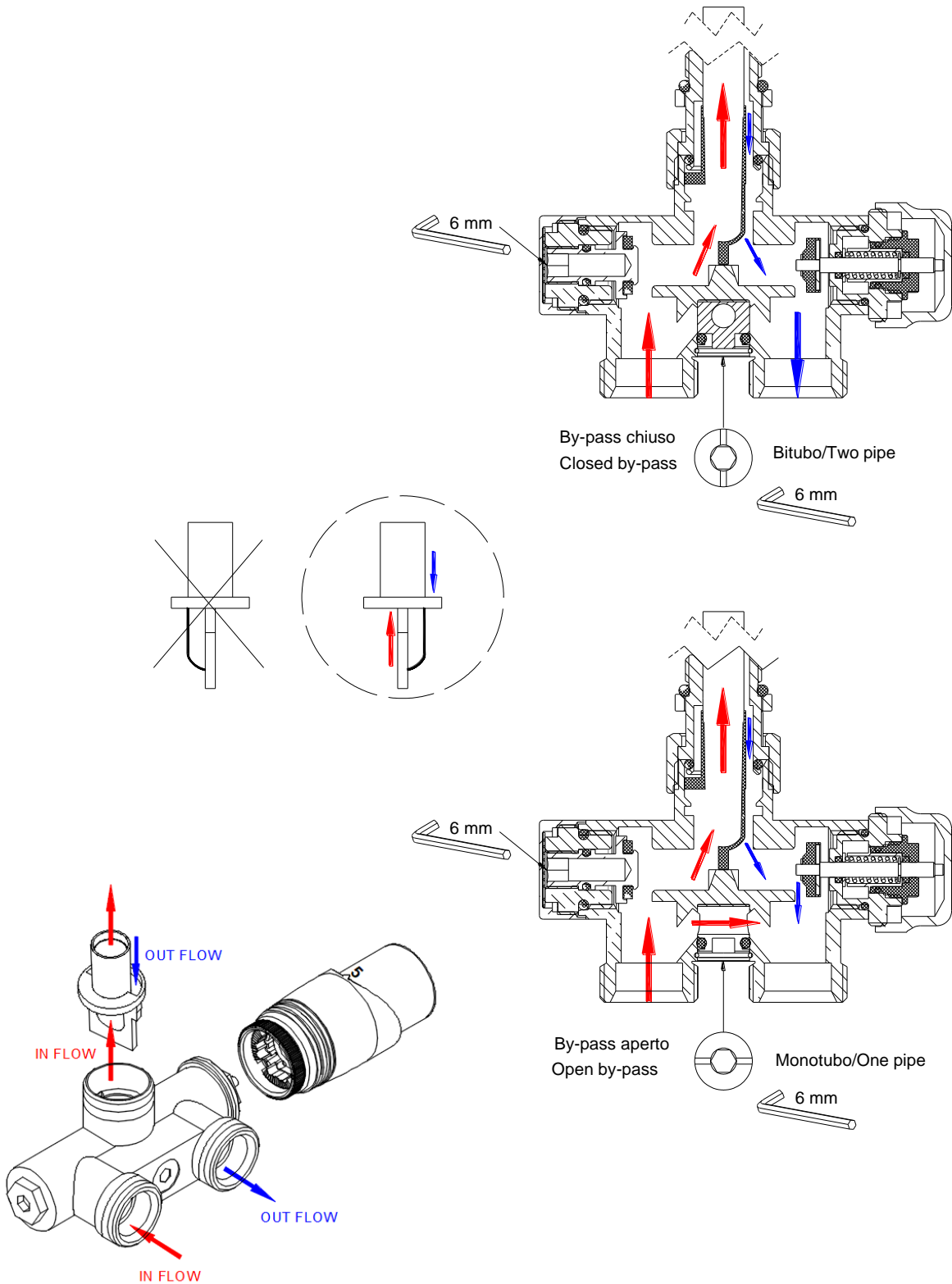


**9200 multistrato/multilayer**



**9100 rame/copper**

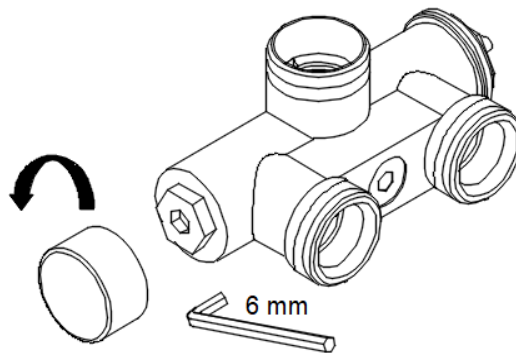
### CONFIGURAZIONE – CONFIGURATION






**PERDITE DI CARICO - PRESSURE DROPS**

**REGOLAZIONE DELLA PORTATA:** Chiudere completamente il detentore, il bilanciamento della portata avviene aprendo l'otturatore con chiave a brugola da 6mm.

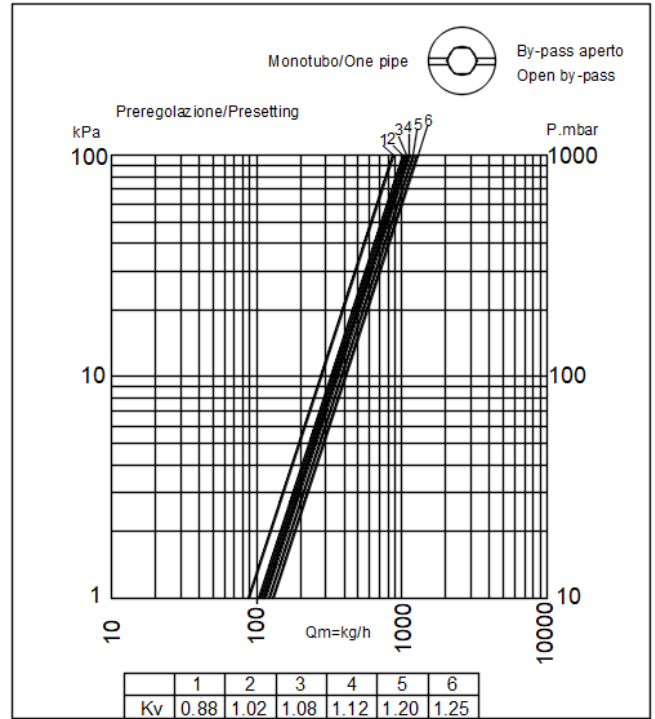
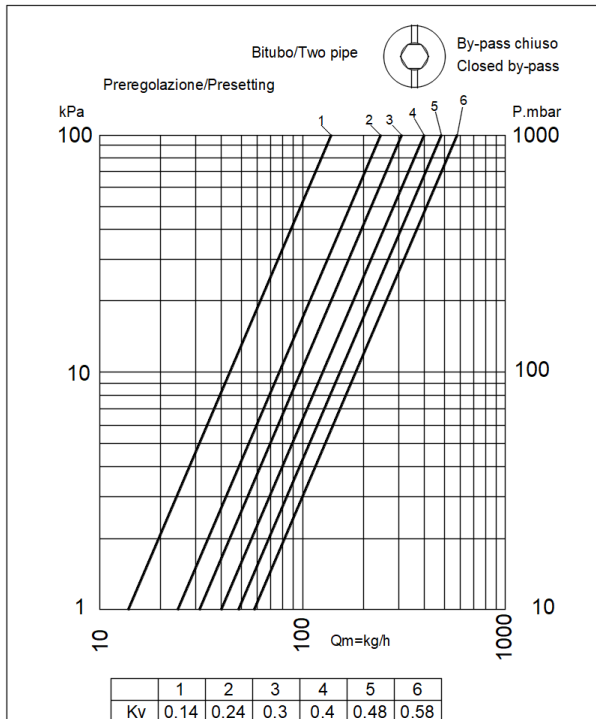
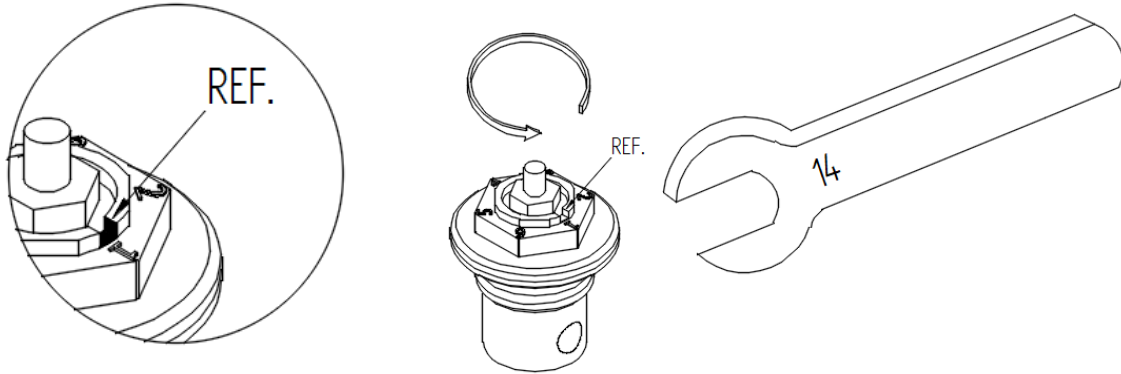
**FLOW REDUCTION:** Close completely the lockshield valve, the flow balancing is done by opening the shutter with the hexagon allen wrench 6mm

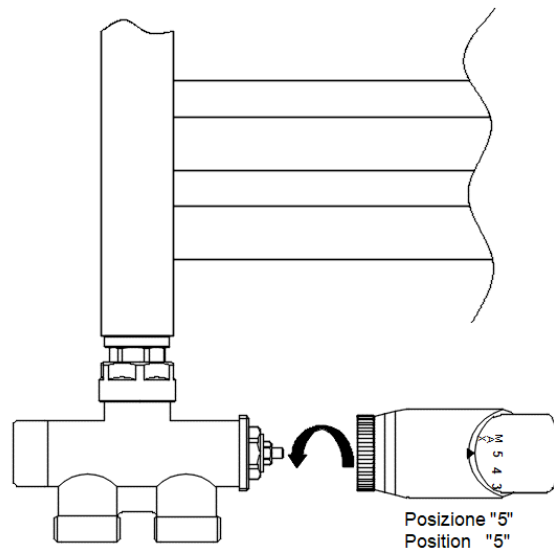
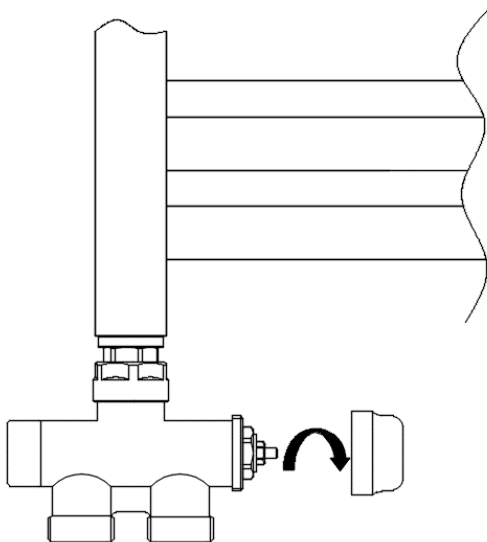
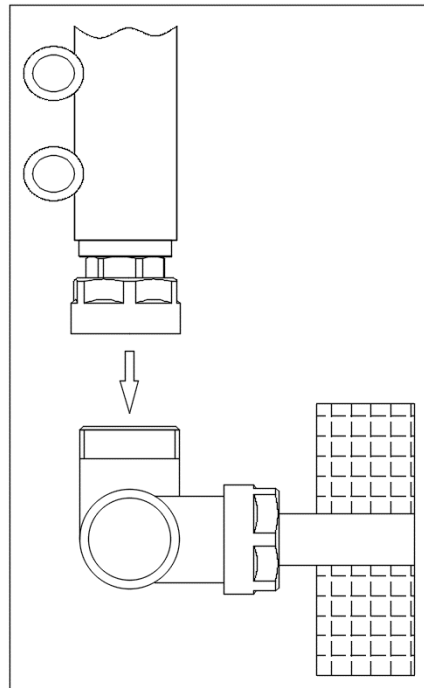
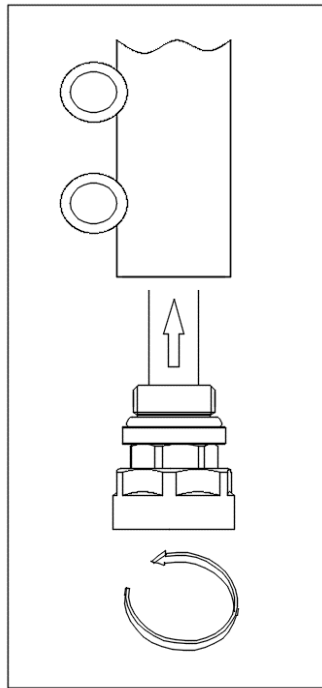


353 angolo-angle		N° giri N° turn	1	2	3	4	TA
By-pass aperto Open by-pass	 Monotubo/One pipe	Kv	1.32	1.80	2.00	2.04	2.06
By-pass chiuso Closed by-pass	 Bitubo/Two pipe	Kv	0.32	0.80	1.01	1.04	1.06

354 diritta-straight		N° giri N° turn	1	2	3	4	TA
By-pass aperto Open by-pass	 Monotubo/One pipe	Kv	1.28	1.81	2.06	2.08	2.15
By-pass chiuso Closed by-pass	 Bitubo/Two pipe	Kv	0.28	0.80	1.07	1.10	1.13

### PRESETTING CORE





Accessories: it is possible to install the thermostatic head. Remove the protective cap, select the "5" position on the thermostatic head and screw the ring nut by hand.